



Deutschland / Germany
GARDENA GmbH
Central Service
Hans-Lorenser-Straße 40
D-89079 Ulm
Produktfragen:
(+49) 731 490-123
Reparaturen:
(+49) 731 490-290
service@gardena.com

Albania
COBALT Sh.p.k.
Rr. Siri Kodra
1000 Tirana

Argentina
Husqvarna Argentina S.A.
Av.del Libertador 5954 –
Piso 11 – Torre B
(C1428ARP) Buenos Aires
Phone: (+54) 11 5194 5000
info.gardena@
ar.husqvarna.com

Armenia
Garden Land Ltd.
61 Tigran Mets
0005 Yerevan

Australia
Husqvarna Australia Pty. Ltd.
Locked Bag 5
Central Coast BC
NSW 2252
Phone: (+61) (0) 2 4352 7400
customer.service@
husqvarna.com.au

Austria / Österreich
Husqvarna Austria GmbH
Consumer Products
Industriezeile 36
4010 Linz
Tel.: (+43) 732 77 01 01-90
consumer.service@
husqvarna.at

Azerbaijan
Firm Progress
a. Aliyev Str. 26A
1052 Baku

Belgium
GARDENA Belgium NV/SA
Sterrebeekstraat 163
1930 Zaventem
Phone: (+32) 2 7 20 92 12
Mail: info@gardena.be

Bosnia / Hercegovina
SILK TRADE d.o.o.
Industrijska zona Bukva bb
74260 Tešanj

Brazil
Husqvarna do Brasil Ltda
Av. Francisco Matarrazzo,
1400 – 19º andar
São Paulo – SP
CEP: 05001-903
Tel: 0800-112252
marketing.br.husqvarna@
husqvarna.com.br

Bulgaria
Хусварна България ЕООД
Бул. „Андрей Ляпчев“ № 72
1799 София
Тел.: (+359) 02/9753076
www.husqvarna.bg

Canada / USA
GARDENA Canada Ltd.
100 Summerlea Road
Brampton, Ontario L6T 4X3
Phone: (+1) 905 732 9330
info@gardenacanada.com

Chile
Maquinarias Agroforestales
Ltda. (Maga Ltda.)
Santiago, Chile
Avda. Chesterton
8355 comuna Las Condes
Phone: (+56) 2 202 4417
Dalton@maga.cl
Zipcode: 7560330
Temuco, Chile
Avda. Valparaíso # 01466
Phone: (+56) 45 222 126
Zipcode: 4780441

China
Husqvarna (China) Machinery
Manufacturing Co., Ltd.
No. 1355, Jia Xin Rd.,
Ma Lu Zhen, Jia Ding Dist.,
Shanghai
201801
Phone: (+86) 21 59159629
Domestic Sales
www.gardena.com.cn

Colombia
Husqvarna Colombia S.A.
Calle 18 No. 68 D-31, zona
Industrial de Montevideo
Bogotá, Cundinamarca
Tel. 571 2922700 ext. 105
jairo.salazar@
husqvarna.com.co

Costa Rica
Compania Exim
Euroberoamericana S.A.
Los Colegios, Moravia,
200 metros al Sur del Colegio
Saint Francis – San José
Phone: (+506) 297 88 83
exim_euro@racsa.co.cr

Croatia
SILK ADRIA d.o.o.
Josipa Lončara 3
10090 Zagreb
Phone: (+385) 1 3794 580
sil.k.adria@zg.t-com.hr

Cyprus
Med Marketing
17 Digeni Akritia Ave
P.O. Box 27017
1641 Nicosia

Czech Republic
Husqvarna Cesko s.r.o.
Türkova 2319/5b
149 00 Praha 4 – Chodov
Bezplatná infolinka:
800 100 425
servis@cz.husqvarna.com

Denmark
GARDENA / Husqvarna
Consumer Outdoor Products
Salgsafdelning Danmark
Box 9003
S-200 39 Malmö
info@gardena.dk

Dominican Republic
BOSQUESA S.R.L.
Carretera Santiago Licey
Km. 5 ½
Esquina Copal II,
Santiago, Dominican Republic
Phone: (+809) 736-0333
joserbosquesa@claro.net.do

Ecuador
Husqvarna Ecuador S.A.
Arupos E1-181 y 10 de Agosto
Quito, Pichincha
Tel. (+593) 22800739
francisco.jacome@
husqvarna.com.ec

Estonia
Husqvarna Eesti OÜ
Consumer Outdoor Products
Kesk tee 10, Aaviku küla
Rae vald
Hajju maakond
75305 Estonia
kontakt.etj@husqvarna.ee

Finland
Oy Husqvarna Ab
Consumer Outdoor Products
Lautatarhankatu 8 B / PL 3
00581 HELSINKI
info@gardena.fi

France
GARDENA France
Immeuble Exposial
9-11 allée des Pierres Mayettes
ZAC des Barbanniers, B.P. 99
-F- 92232 GENNEVILLIERS
cedex
Tél. (+33) 01 40 85 30 40
service.consommateurs@
gardena.fr

Georgia
ALD Group
Belashvili 8
1159 Tleilisi

Great Britain
Husqvarna UK Ltd
Preston Road
Aycliffe Industrial Park
Newton Aycliffe
County Durham
DL5 6UP
info.gardena@
husqvarna.co.uk

Greece
HUSQVARNA ΕΛΛΑΣ Α.Ε.Β.Ε.
Υπ/μτ Ηφαιστίου 33Α
Βλ. Πκ. Κορωπίου
194 00 Κορωπί Αττικής
V.A.T. EL094094640
Phone: (+30) 210 66 20 225
info@husqvarna-consumer.gr

Hungary
Husqvarna Magyarország Kft.
Ezred u. 1-3
1044 Budapest
Telefon: (+36) 1 251-4161
vevoszolgalat.husqvarna@
husqvarna.hu

Iceland
Ó. Johnson & Kaaber
Tunguhalsi 1
110 Reykjavik
ooj@ojk.is

Ireland
Husqvarna UK Ltd
Preston Road
Aycliffe Industrial Park
Newton Aycliffe
County Durham
DL5 6UP
info.gardena@
husqvarna.co.uk

Italy
Husqvarna Italia S.p.A.
Via Como 72
23868 VALMADRERA (LC)
Phone: (+39) 0341.203.111
info@gardenaitalia.it

Japan
KAKUICHI Co. Ltd.
Sumitomo Realty &
Development Kojimachi
BLDG., 8F
5-1 Nibanryo
Tokyo 102-0084
Phone: (+81) 33 264 4721
m_ishihara@kaku-ichi.co.jp

Kazakhstan
LAMED Ltd.
155/1, Tazhibayevoi Str.
050060 Almaty
IP Schmidt
Abayavenue 3B
110 005 Kostanay

Kyrgyzstan
Alye Maki
av. Molodaya Guardir J 3
720014
Bishkek

Latvia
Husqvarna Latvija
Consumer Outdoor Products
Bakūzu iela 6
LV-1024 Rīga
info@husqvarna.lv

Lithuania
UAB Husqvarna Lietuva
Consumer Outdoor Products
Ateities pl. 77C
LT-52104 Kaunas
centras@husqvarna.lt

Luxembourg
Magasins Jules Neuberg
39, rue Jacques Stas
Luxembourg-Gasperich 2549
Case Postale No. 12
Luxembourg 2010
Phone: (+352) 40 14 01
api@neuberg.lu

Mexico
AFOSA
Av. Lopez Mateos Sur # 5019
14900 Praha 4 – Chodov
Zapopan, Jalisco
Mexico
Phone: (+52) 33 3818-3434
icornejo@afosa.com.mx

Moldova
Convel S.R.L.
290A Muncesti Str.
2002 Chisinau

Netherlands
GARDENA Nederland B.V.
Postbus 50176
1305 AD ALMERE
Phone: (+31) 36 521 00 00
info@gardena.nl

Neth. Antilles
Jonka Enterprises N.V.
Sta. Rosa Weg 196
P.O. Box 8200
Curaçao
Phone: (+599) 9 767 66 55
pgm@jonka.com

New Zealand
Husqvarna New Zealand Ltd.
PO Box 76-437
Manukau City 2241
Phone: (+64) (0) 9 9202410
support.nz@husqvarna.co.nz

Norway
GARDENA
Husqvarna Consumer
Outdoor Products
Salgskontor Norge
Kievertveien 6
1540 Vestby
info@gardena.no

Peru
Husqvarna Perú S.A.
Jr. Ramón Cárcamo 710
Lima 1
Tel: (+51) 1 3320400 ext. 416
juan.remuzgo@
husqvarna.com

Poland
Husqvarna
Poland Spółka z o.o.
ul. Wysockiego 15 b
03-371 Warszawa
Phone: (+48) 22 330 96 00
gardena@husqvarna.com.pl

Portugal
Husqvarna Portugal, SA
Lagoa – Albarraque
2635 – 595 Rio de Mouro
Tel.: (+351) 21 922 85 30
Fax : (+351) 21 922 85 36
info@gardena.pt

Romania
Madex International Srl
Soseaua Odaii 117-123,
RO 013603
București, S 1
Phone: (+40) 21 352.76.03
madex@ines.ro

Russia
ООО „Хусварна“
141400, Московская обл.,
г. Химки,
улица Ленинградская,
владение 39, стр.6
Бизнес Центр
„Химки Бизнес Парк“,
помещение ОВ02_04

Serbia
Domel d.o.o.
Autoput za Novi Sad bb
11273 Belgrade
Phone: (+381) 11 848 88 12
miroslav.jejina@domel.rs

Singapore
Hy-Ray PRIVATE LIMITED
40 Jalan Pemimpin
#02-08 Tat Ann Building
Singapore 577185
Phone: (+65) 6253 2277
shiyang@hyray.com.sg

Slovak Republic
Husqvarna Česko s.r.o.
Türkova 2319/5b
14900 Praha 4 – Chodov
Bezplatná infolinka:
800 154 044
servis@sk.husqvarna.com

Slovenia
Husqvarna Austria GmbH
Consumer Products
Industriezeile 36
4010 Linz
Tel.: (+43) 732 77 01 01-90
consumer.service@
husqvarna.at

South Africa
Husqvarna
South Africa (Pty) Ltd
Postnet Suite 250
Private Bag X6,
Cascades, 3202
South Africa
Phone: (+27) 33 846 9700
curacao@gardena.co.za

Spain
Husqvarna España S.A.
C/ Basauri, nº 6
La Florida
28023 Madrid
Phone: (+34) 91 708 05 00
atencioncliente@gardena.es

Suriname
Agrofix n.v.
Verlengde Hogestraat #22
Phone: (+597) 472426
agrofix@sr.net
Pobox : 2006
Paramaribo
Suriname – South America

Sweden
Husqvarna AB
S-561 82 Huskvarna
info@gardena.se

Switzerland / Schweiz
Husqvarna Schweiz AG
Consumer Products
Industriestrasse 10
5506 Mägenwil
Phone: (+41) (0) 848 800 464
info@gardena.ch

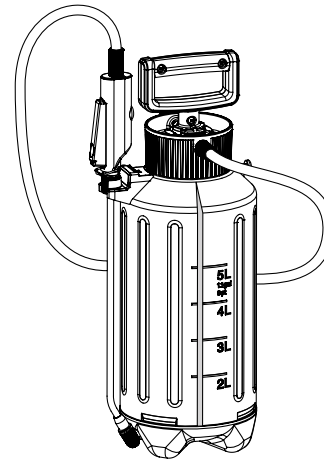
Turkey
GARDENA Dost Diş Ticaret
Müessesilik A.Ş.
Sanayi Çad. Adil Sokak
No: 1/B Kartal
34873 İstanbul
Phone: (+90) 216 38 93 939
info@gardena-dost.com.tr

Ukraine / Україна
ТОВ «Хусварна Україна»
вул. Васильківська, 34,
офіс 204-г
03022, Київ
Тел. (+38) 044 498 39 02
info@gardena.ua

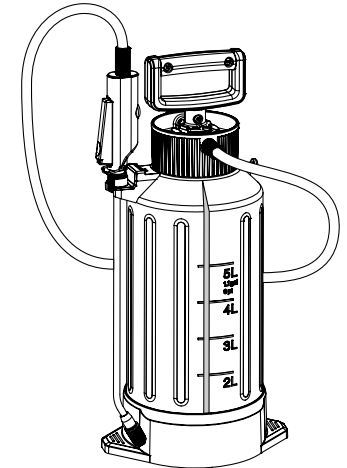
Uruguay
FELI SA
Entre Rios 1083 CP 11800
Montevideo – Uruguay
Tel: (+598) 22 03 18 44
info@felisa.com.uy

Venezuela
Corporación Casa y Jardin C.A.
Av. Caroní, Edif. Trezmen, PB.
Colinas de Bello Monte,
1050 Caracas.
Tlf: (+58) 212 992 33 22
info@casayjardin.net.ve

822-20.960.02/0313
© GARDENA Manufacturing GmbH
D-89070 Ulm
http://www.gardena.com



5 l Art. 822



5 l Art. 828

D Betriebsanleitung
Drucksprüher

GB Operating Instructions
Pressure Sprayer

F Mode d'emploi
Pulvérisateur

NL Gebruiksaanwijzing
Drukspuit

S Bruksanvisning
Tryckspruta

DK Brugsanvisning
Tryksprøjte

FI Käyttöohje
Paineruisku

N Bruksanvisning
Trykksprøyte

I Istruzioni per l'uso
Irroratore a pressione

E Instrucciones de empleo
Pulverizador a presión

P Manual de instruções
Pulverizador de pressão

PL Instrukcja obsługi
Opryskiwacz ciśnieniowy

H Használati utasítás
Nyomáspermetező

CZ Návod k obsluze
Tlakový rozprašovač

SK Návod na obsluhu
Tlakový rozprašovač

GR Οδηγίες χρήσης
Ψεκαστήρας Προπίεσης

RUS Инструкция по эксплуатации
Опрыскиватель

SLO Navodilo za uporabo
Tlačni škropilnik

HR Uputa za upotrebu
Pneumatska prskalica

SRB Uputstvo za rad
BIH Prskalica pod pritiskom

UA Інструкція з експлуатації
Обприскувач

RO Instrucțiuni de utilizare
Pulverizator cu precompresie

TR Kullanma Kılavuzu
Basıncılı Sprey

BG Инструкция за експлоатация
Пръскачка

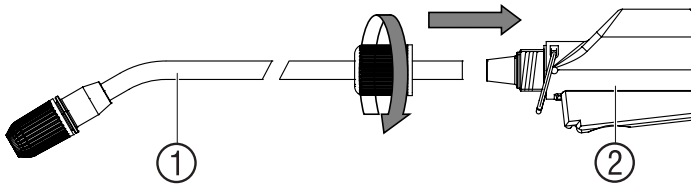
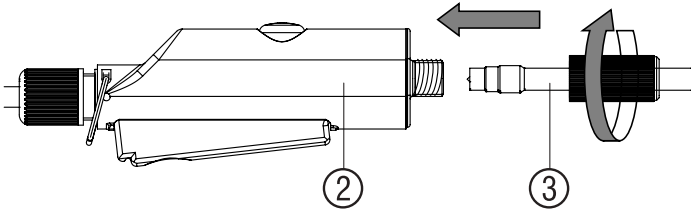
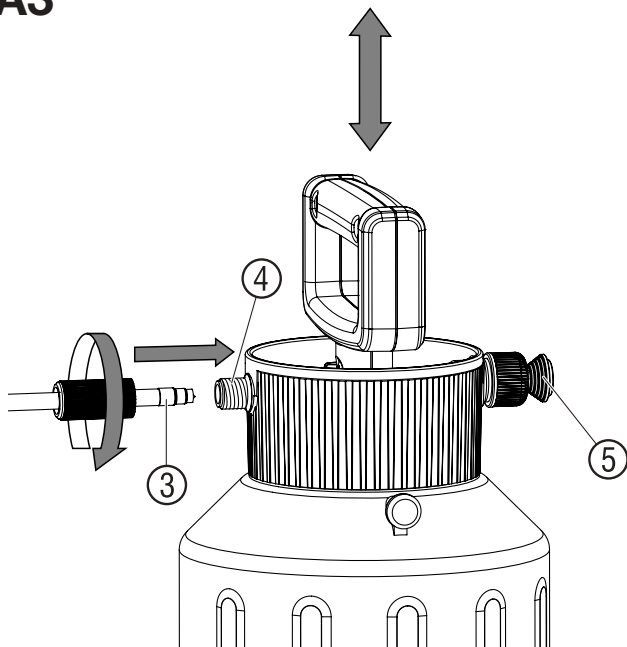
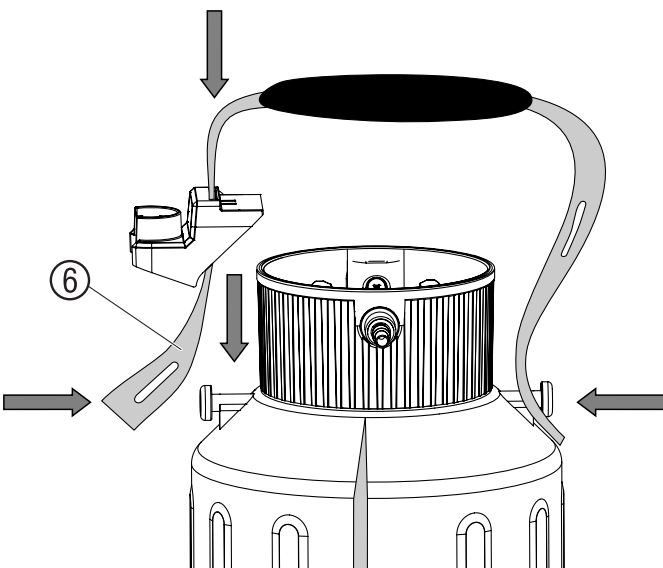
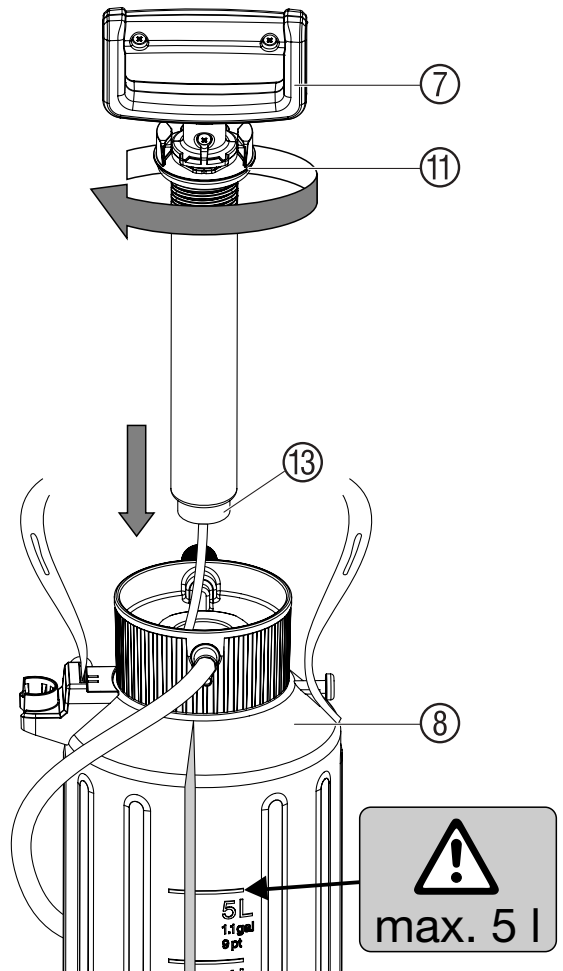
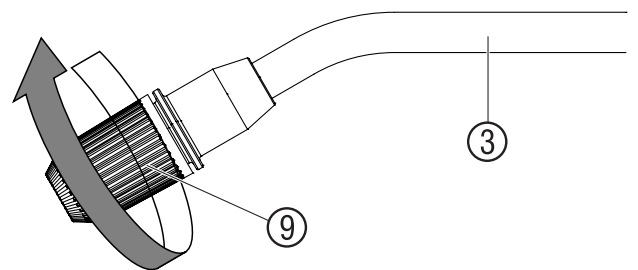
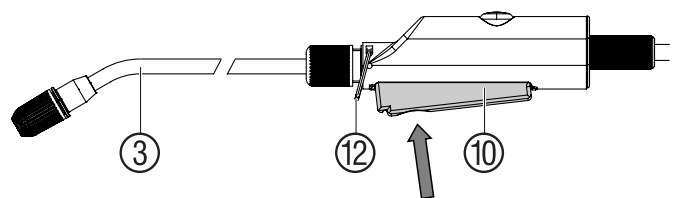
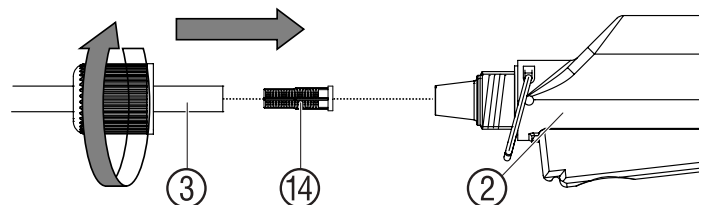
AL Manual përdorimi
Bombol sprucimi me presion

EST Kasutusjuhend
Survepihusti

LT Naudojimosi instrukcija
Slėginis purkštuvas

LV Lietošanas instrukcija
Spiediena smidzinātājs

SA دليل التشغيل
بخاخة الضغط

A1**A2****A3****A4****B1****B2****B3****C1**

GARDENA Pressure Sprayer 5 I

Translation of the original German operating instructions. Please read the operating instructions carefully and observe the notes given. Use the instructions to familiarise yourself with the Pressure Sprayer, its proper use and the notes on safety. For safety reasons, children under 16 as well as persons not familiar with these operating instructions must not use the Pressure Sprayer. Keep these operating instructions in a safe place.

1. Area of application of your GARDENA Pressure Sprayer

Intended purpose:

The GARDENA Pressure Sprayer is intended for distributing solvent-free liquid pesticides¹⁾, herbicides¹⁾, fertilisers¹⁾, window cleaners¹⁾, and car wax¹⁾ in domestic gardens and allotments. It must not be used in public places, parks, sport arenas, or in agriculture or forestry. Compliance with the operating instructions provided by the manufacturer is a prerequisite for using the Pressure Sprayer correctly.

¹⁾ In accordance with the laws governing the use of pesticides and detergents, only authorised substances may be used (authorised specialist shop).

Please note:

Due to the risk of physical injury, the GARDENA Pressure Sprayer must not be used for spraying substances other than those specified by GARDENA. Also, no acids, disinfectants or impregnators, aggressive and solvent-containing cleaning agents, petrol or spray oil may be sprayed. We recommend that you only use pesticides approved by the BBA (German Federal Biological Research Centre for Agriculture and Forestry). To our knowledge at the time of manufacturing the unit, the pesticides approved by the BBA will not damage the materials used to construct the Pressure Sprayer. When spraying insecticides, herbicides and fungicides or other liquid plant protection products, you must comply with all special precautionary measures specified by the manufacturer of the product you are using.

2. Safety instructions

Danger of physical injuries:

Never open the Pressure Sprayer or unscrew the nozzle when the Pressure Sprayer is still pressurised. To prevent injury, never connect the Pressure Sprayer to an air-compressor. Before pulling out the safety valve ⑤ (Fig. A3), the sprayer always has to be placed vertically. Before opening the sprayer, always release pressure completely by pulling out the safety valve.

Operation:

Inspect the Pressure Sprayer visually before each use. Never leave your Pressure Sprayer unattended or for long periods when full and pressurised. Keep the unit out of the reach of children. You are responsible for the safety of others. Keep your Pressure Sprayer away from heat sources and hot environments. Screw handle ⑦ on tightly by hand (do not use tools) and ensure the correct position of the O-ring ⑪ (Fig. B1).

Cleaning:

Release the pressure after each use, empty the container, clean it carefully and rinse with clear water. Then leave the pressure sprayer open and allow it to dry. Do not dispose of residual fluids in the sewerage system (local disposal systems). Always clean the Pressure Sprayer before using a different product to avoid chemical reactions. When using several Pressure Sprayers, the tanks and handle may not be exchanged between them.

Storage:

Before storing, loosen the tank cap and always empty your Pressure Sprayer completely (also after cleaning with water). Store away from frost. If you use the permanent lock ⑫ (Fig. B3) pay attention that you work very carefully. Never store your pressure sprayer with permanent lock.

3. Assembly

- A1 Mounting the spray tube ① in the hand valve ②.
- A2 Attaching the spray hose ③ to the hand valve ②.
- A3 Attaching the spray hose ③ to the container cap ④.
- A4 Assemble shoulder straps ⑥ (Art. 828 has shoulder padding).

4. Operation

Please observe the safety and proportioning instructions provided by the manufacturer of the product you are going to spray.

- B1 Unscrew handle ⑦ and fill tank ⑧.
WARNING: The tank may only be filled with a maximum of 5 litres liquid.

- A3 Pump using the handle ⑦.
- B2 Set mist spray via the nozzle ⑨.
- B3 Press operating tab ⑩ and spray liquid.

5. Cleaning

Cleaning the Pressure Sprayer:

Always clean your Pressure Sprayer after spraying. Use Pressure Sprayer only with clear water (possibly with addition of dish detergent) and spray empty. The valves, the spray pipe ① and the nozzle ⑨ are cleaned. In the case of outer dirtying of handle and tank, thoroughly clean the area thread and thread O-ring ⑪. We recommend that you have your Pressure Sprayer thoroughly inspected (preferably at a GARDENA Service Centre) after using it for 5 years.

6. Trouble-Shooting

C1 Cleaning the filter:

→ Remove the sieve ⑭ from the spray tube ① and clean it.

Problem	Possible Cause	Remedy
Pump does not build up pressure.	Safety valve ⑤ is loose.	Tighten the safety valve ⑤.
	Hose connection at the container and hand valve is not tight.	Tighten the hose connections at the container and hand valve.
	Continuous lock ⑫ enabled on handle.	Release lock ⑫ on handle.
Pressure Sprayer does not spray although there is sufficient pressure or only sprays with a weak spray jet.	Sealing cap ⑬ dirty/defective.	Clean or exchange sealing cap ⑬.
	Nozzle ⑨ is blocked.	Unscrew nozzle ⑨ and clean.
It is difficult to open and close the container.	Sieve ⑭ is blocked.	Clean the sieve ⑭ in the spray tube.
	Container pressure too high.	Release the container pressure completely by means of the safety valve ⑤.

If you have any other problems with your Pressure Sprayer please contact GARDENA Customer Service.

7. Putting into Storage

Storing your Pressure Sprayer:

- 1. Clean the Pressure Sprayer (refer to 5. Cleaning).
- 2. Keep your Pressure Sprayer in a place protected from frost.

8. Available accessories

GARDENA Weedkiller Cone	Prevents spray mist from blowing away.	Art. No. 894
GARDENA Extension Lance	For extending the spray tube.	Art. No. 897

9. Technical data

Max. capacity	5 l (8 pints approx.)	Permissible working pressure	3 bar
Spray tube length	36 cm	Max. permissible operating temperature	40 °C
Hose length	175 cm		

10. Warranty

GARDENA guarantees this product for 2 years (from date of purchase). This guarantee covers all serious defects of the unit that can be proved to be material or manufacturing faults. Under warranty we will either replace the unit or repair it free of charge if the following conditions apply: The unit must have been handled properly and in keeping with the requirements of the operating instructions. Neither the purchaser or a non-authorised third party have attempted to repair the unit. This manufacturer's guarantee does not affect the user's existing warranty claims against the dealer/seller. If you have any problems with your Pressure Sprayer, please contact our Service or return the defective unit together with a short description of the problem – in case of guarantee, with a copy of the receipt – postage paid to one of the GARDENA Service Centres listed on the back of this leaflet.